


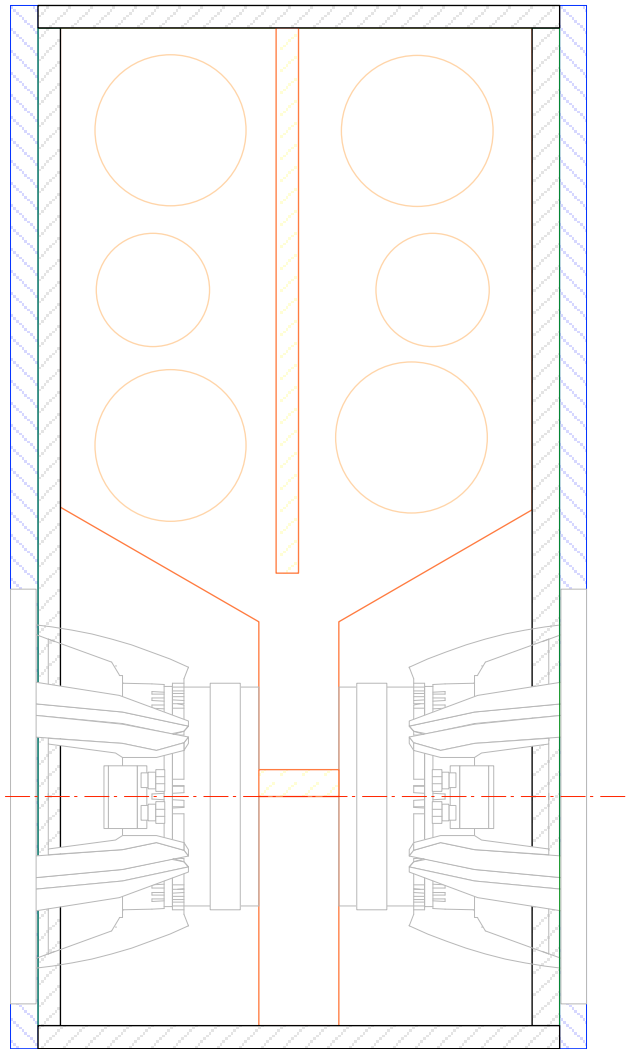
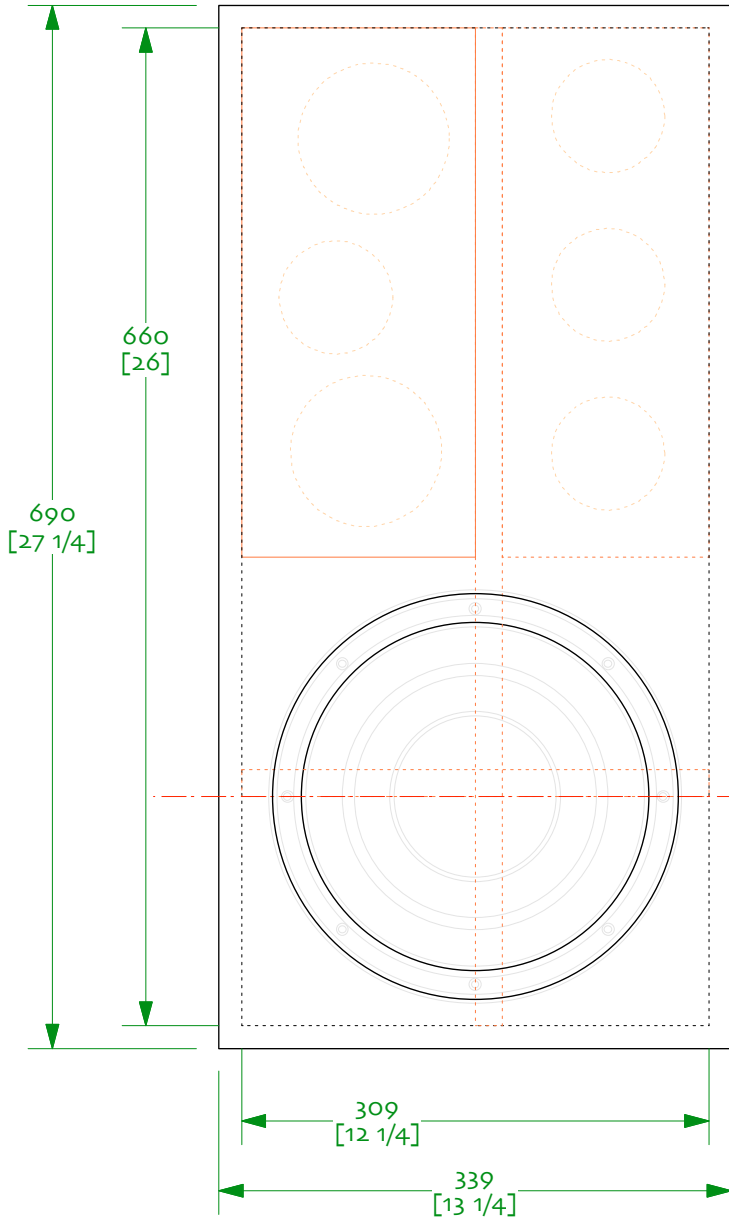
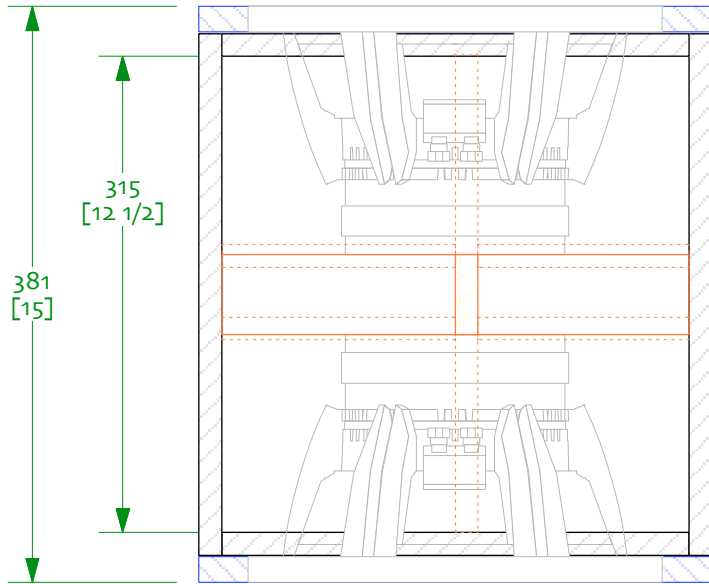


# Twin SDX10 Push-Push Prism

designed & drawn by David Dlugos  
18 - March - 2012

-  15mm BB braces
-  15mm main panels
-  other (cheap) 18mm ply to create rebate



# Twin SDX10 Push-Push Prism Big Version

designed & drawn by David Dlugos  
18 - March - 2012/updated 23-july-2012

